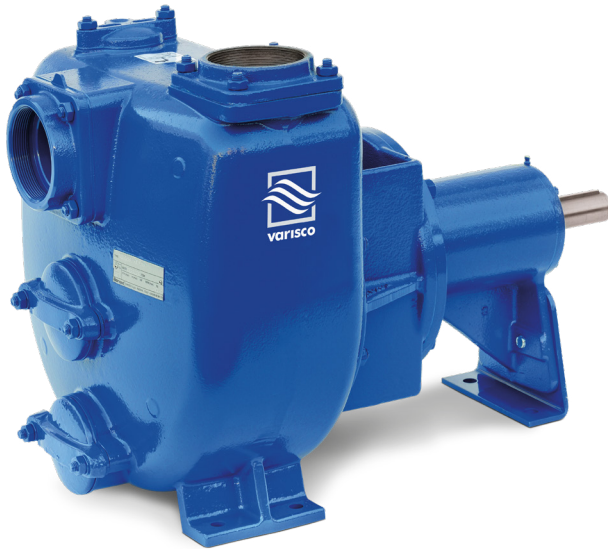


JS 3-240 G21

Qmax 80 m³/h - 1333 l/min (352 USgpm) - Hmax 92 m (302 ft)

Code 10052731



Indicative picture of the product

Product Data

Suction port
Threaded - 3" ISO 228 (BSP)

Delivery port
Threaded - 3" ISO 228 (BSP)

Qmax
80 m³/h - 1333 l/min (352 USgpm)

Hmax
92 m (302 ft)

Solids handling
14 mm (0,55")

Weight
90 kg (198 lb)

EX version



Pump with dedicated code, including thermowell predisposition for temperature sensor and glass oiler for mechanical seal quench fluid, according to **ATEX 2014/34/EU**.

Self-priming centrifugal bare shaft pump

Characteristics

The J series self-priming centrifugal pumps are used in applications where a rapid priming capacity is required from demanding suction heights combined with the ability to transfer and manage polluted fluids, dirty and abrasives with suspended large diameter solids. The system is based on an inspectable pump casing which also acts as a water tank allowing a first quick priming without auxiliary systems, simplifying management of the system and reducing the time for maintenance. Within the physically permitted suction height limits, J pumps are a more comfortable and reliable solution than submersible pumps and vertical submersed impeller pumps.

Benefits

- 1) Rapid self-priming**
Without foot valve up to a height of 7.5 m (24.5 ft)
- 2) High resistance**
To abrasive liquids which are turbid and sandy
- 3) Semi-open impeller**
High thickness casting impact resistant
- 4) Wear plate/plates**
Easily replaceable cast iron wear plate/plates
- 5) Easy inspection and cleaning**
Removable front covers for access to the impeller

Applications

Industry:

clean, dirty, sandy, muddy, neutral, alkaline, acidic liquids; low viscous petroleum products, solvents even if dirty; milk of lime, caustic soda; washing, cooling, recirculation, smoke scrubbing.

Treatment:

pumping polluted corrosive wastewater containing sand, mud or solids in suspension; dosing neutralizing liquids; pumping out settled sludge.

Naval:

loading and unloading; bilge pumping; washing, fire-fighting, stripping, sanitary duty and circulation.

Agriculture:

surface irrigation; liquid manure oxygenation; transfer and spraying liquid manure or fertilizers; distribution of liquid animal feed; transfer of wine must; washing.

Varisco S.r.l. has certified its Quality, Environment and Safety Management System in accordance with the requirements of the international standard ISO 9001-14001-45001, recognized by the Lloyd Register.

Specification is subject to change without prior notice. Please check with your Varisco representative for the latest specifications.

Document release date: April 24th 2024

JS 3-240 G21



PERFORMANCE CURVES

Test according to **UNI EN ISO 9906 standard - level 2B**

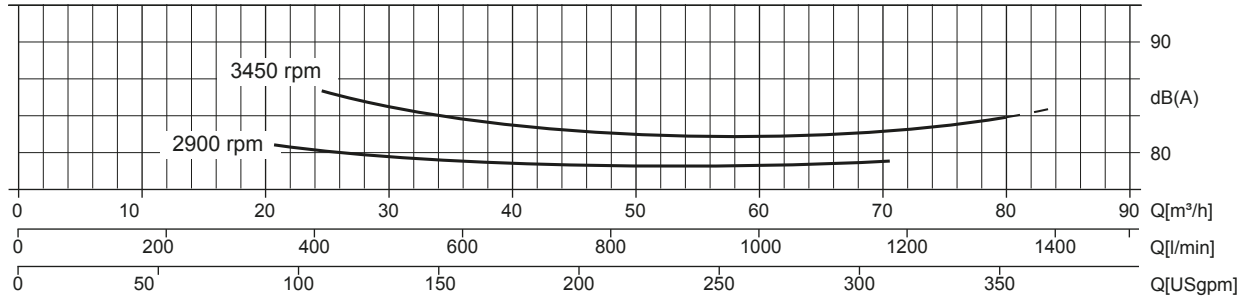
Max. applicable motor power: **30 kW - 40 HP (max 3.450 rpm)**

Test liquid: **clean water, density 1.000 kg/m³**

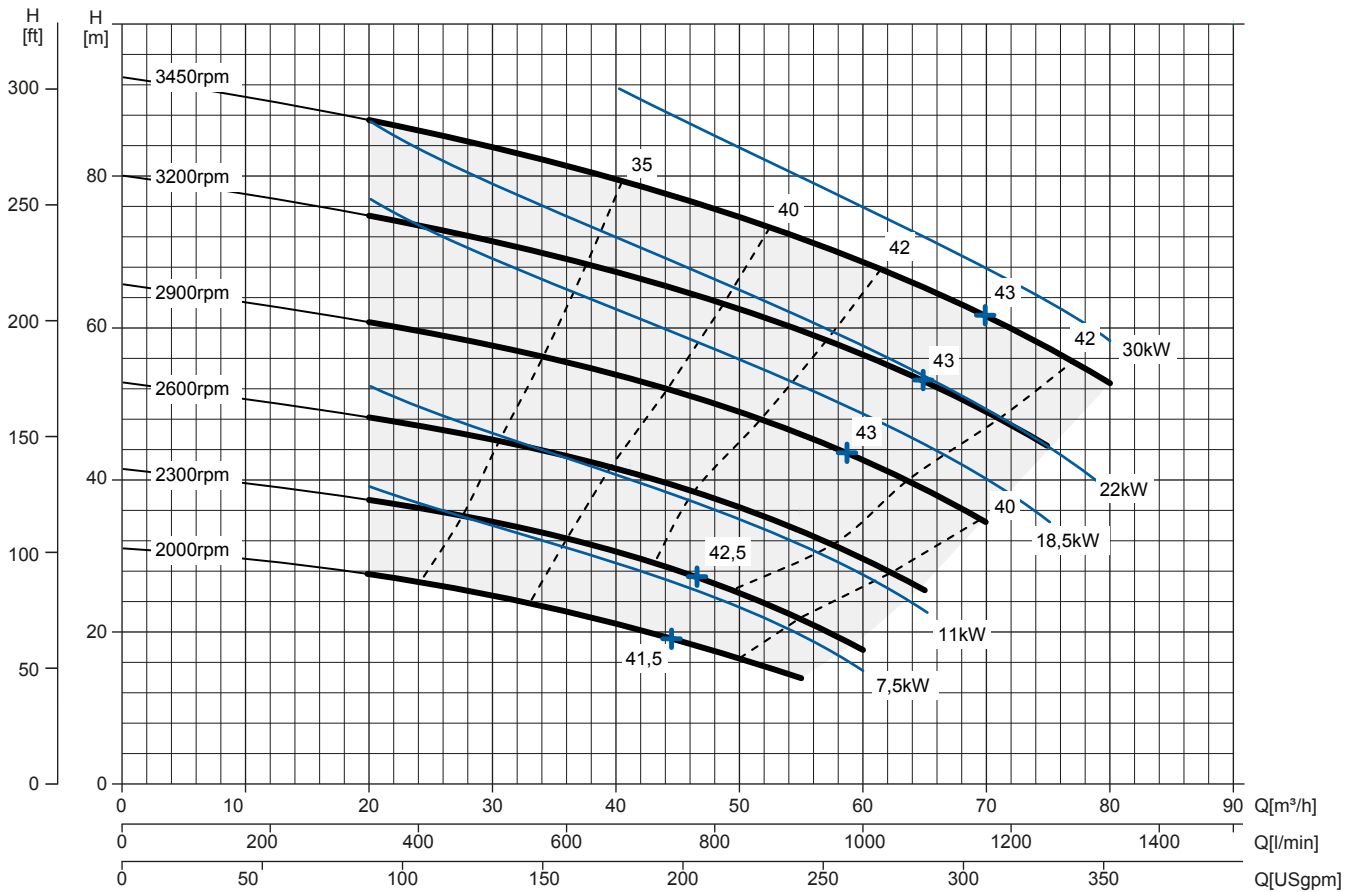
Spherical solids handling: **D.14 mm (0,55")**

Noise Curve

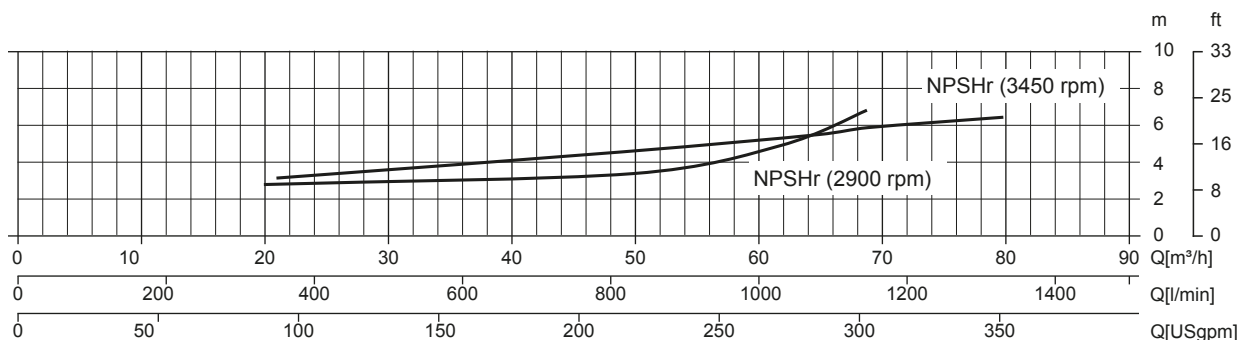
dB(A)=max noise level at 1 m



Multiple Speed Curve



NPSHr Curve



JS 3-240 G21

TECHNICAL DATA

Pump

| | |
|------------------|---|
| Pump model | JS 3-240 G21 |
| Qmax [3.450 rpm] | 80 m ³ /h - 1333 l/min (352 USgpm) |
| Hmax [3.450 rpm] | 92 m (302 ft) |
| Suction port | Threaded - 3" ISO 228 (BSP) |
| Delivery port | Threaded - 3" ISO 228 (BSP) |
| Impeller type | Closed, 4 vanes |
| Solids handling | 14 mm (0,55") |
| Casing | EN 1563 EN-GJS-500 cast iron |
| Impeller | EN 1563 EN-GJS-500 cast iron |
| Wear plate | EN 1561 EN-GJL-200 cast iron |
| Non-return valve | check-valve, PTFE |
| Shaft | 39NiCrMo3 EN 10083-3 steel |
| Mechanical seal | Silicon carbide / Silicon carbide |
| Elastomers | PTFE |
| Lubrication | Grease |
| Bearing bracket | EN 1561 EN-GJL-200 cast iron, with grease lubricated ball bearings for life |

Arrangement

| | |
|-------------------------|--|
| Model | Bare shaft |
| Dimensions (L x W x H)* | 659 x 393 x 453 mm (25.93 x 15.49 x 17.85") |
| Coating | Polyurethane enamel, average thickness of 100 µm |
| Color | RAL 5010 blue (standard) |
| Height connection | 0,36 m (1,2 ft) |

*without flanged ports

Optionals

| | |
|---|--|
| Flanged ports DN80 PN16 EN1092-2 Type B | Complete pump set code available on request |
| Flanged ports 3" ANSI B16.1 Class 125 R.F. | Complete pump set code available on request |
| Automatic mechanical seal greaser | Code: 10008316 |
| Thermocouple temperature sensor for ATEX pump | TC - Range temperature from 0 up to 300°C |
| Temperature sensors for ATEX pump | PT100 - Range temperature from 0 up to 300°C |

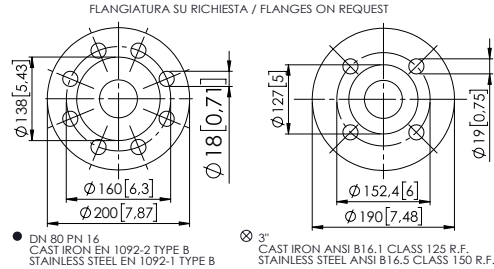
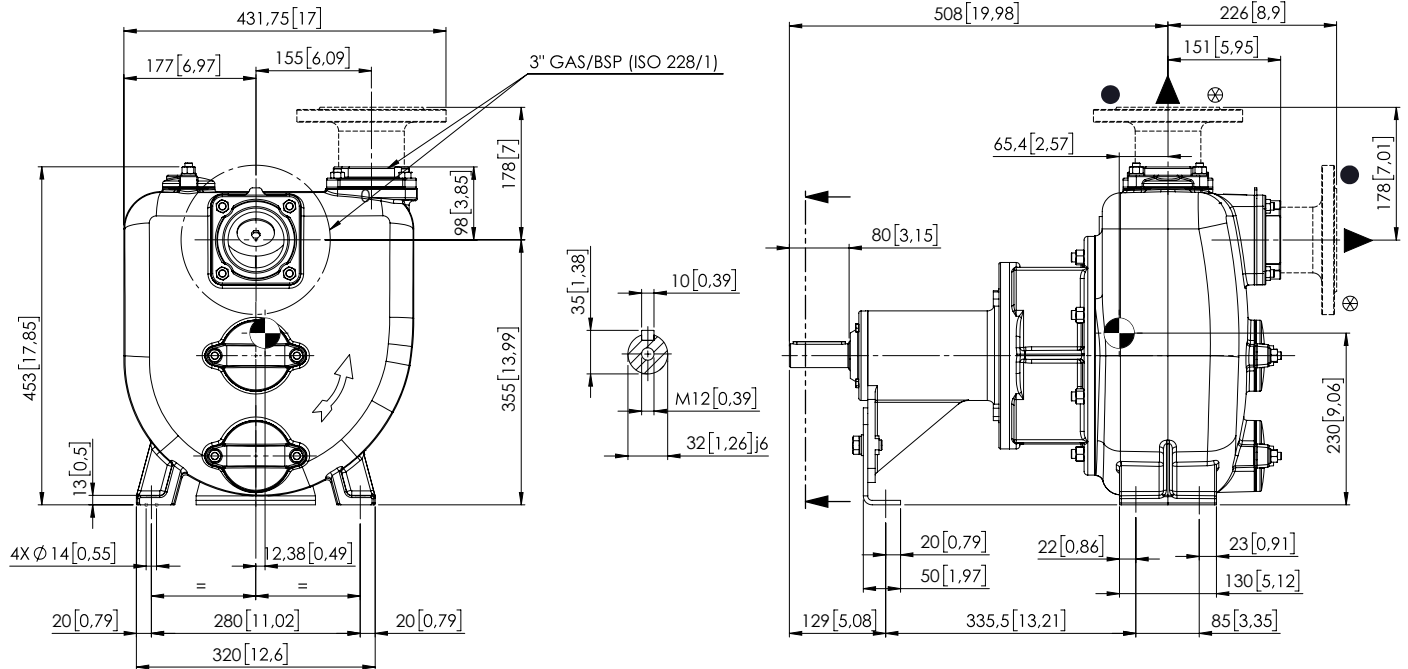
Weight

| | |
|-------------------------------|-----------------|
| Net weight | 90 kg (198 lb) |
| Gross weight (pump + packing) | 103 kg (227 lb) |

JS 3-240 G21

DIMENSIONS

mm [in]



PACKAGING DIMENSIONS

Dimensions

JS 3-240 G21 (L x W x H)

840 x 680 x 650 mm

Gross weight (pump + packing)

103 kg (227 lb)

